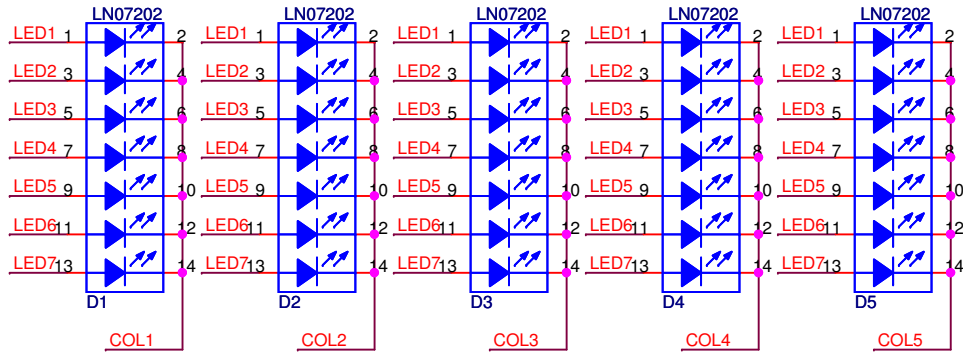
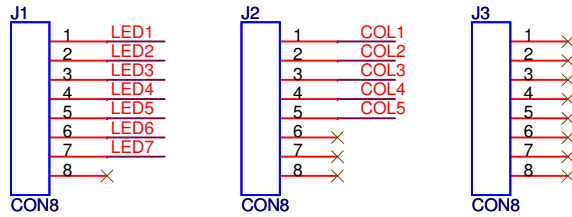
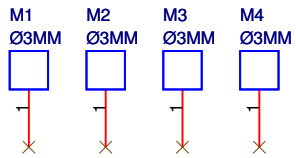


Title		
Led Matrix Control - C. Dünweber - 2010		
Size	Document Number	Rev
A4	1/2	1.0
Date:	Monday, January 25, 2010	Sheet 2 of 2

**LED Matrix**



**Mount Holes**



Title		
Led Matrix - C. Dünweber - 2010		
Size	Document Number	Rev
A4	2/2	1.0
Date:	Monday, January 25, 2010	Sheet 1 of 2